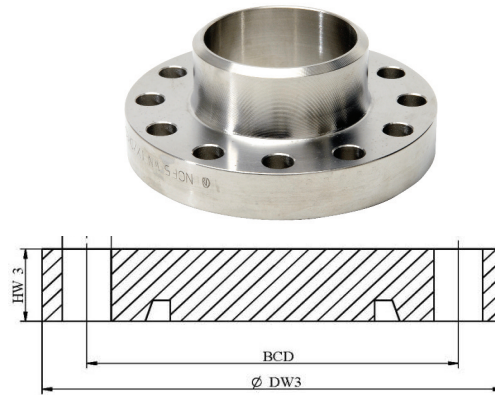
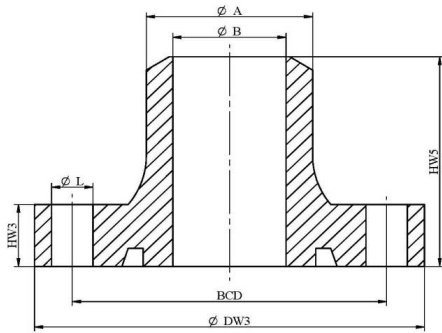


COMPACT FLANGES NORSOK L-005 EDITION 2, MAY 2006

WEIGHT CLASS 900



5
Flanges /
Connectors

NOMINAL SIZE		THICKNESS		WEIGHTS (EACH)	
DN	NPS	Sch.	mm	Weld neck (WN) kg	Blind (BLD) kg
15	1/2"	40	2.77	0.92	0.91
15	1/2"	160	4.78	0.96	
20	3/4"	40	2.87	1	1
20	3/4"	160	5.56	1.1	
25	1"	40	3.38	1.2	1.2
25	1"	160	6.35	1.3	
40	1-1/2"	10S	2.77	1.6	1.7
40	1-1/2"	160	7.14	1.9	
50	2"	10S	2.77	2	2.3
50	2"	160	8.74	2.4	
65	2-1/2"	10S	3.05	2.5	3
65	2-1/2"	160	9.53	3.1	
80	3"	10S	3.05	2.6	3.4
80	3"	160	11.13	3.5	
100	4"	10S	3.05	4.9	6.9
100	4"	120	11.13	6.4	
125	5"	40	6.55	7.7	10.2
125	5"	120	12.70	9.1	
150	6"	40	7.11	10.8	15.3
150	6"	120	14.27	13.1	
200	8"	20	6.35	18.3	29.8
200	8"	120	18.26	24	
250	10"	30	7.80	30.5	52.3
250	10"	120	21.44	39.6	
300	12"	30	8.38	44.5	80.5
300	12"	120	25.40	59.1	
350	14"	30	9.53	53.6	99.9
350	14"	120	27.79	71.9	
400	16"	40	12.70	81.5	147
400	16"	120	30.96	105	

NOMINAL SIZE		THICKNESS		WEIGHTS (EACH)	
DN	NPS	Sch.	mm	Weld neck (WN) kg	Blind (BLD) kg
450	18"	30	11.13	106	202
500	20"	30	12.70	142	274
500	20"	100	32.54	180	
550	22"	60	22.23	199	352
550	22"	100	34.93	228	
600	24"	30	14.27	225	448
600	24"	100	38.89	290	
650	26"	ISO	20.00	292	560
650	26"	ISO	36.00	342	
700	28"	ISO	22.20	346	671
700	28"	ISO	40.00	407	
750	30"	ISO	17.50	394	816
750	30"	ISO	45.00	503	
800	32"	ISO	25.00	502	982
800	32"	ISO	45.00	591	
850	34"	ISO	25.00	614	1208
850	34"	ISO	50.00	739	
900	36"	ISO	25.00	688	1391
900	36"	ISO	50.00	827	
950	38"	ISO	30.00	847	1653
950	38"	ISO	55.00	1001	
1000	40"	ISO	30.00	937	1874
1000	40"	ISO	55.00	1106	
1050	42"	ISO	32.00	1010	2067
1050	42"	ISO	60.00	1215	
1100	44"	ISO	32.00	1110	2318
1100	44"	ISO	60.00	1332	
1150	46"	ISO	36.00	1320	2690
1150	46"	ISO	65.00	1571	
1200	48"	ISO	36.00	1595	3215
1200	48"	ISO	65.00	1873	